

# SERIES 187 MARINE RATED CIRCUIT BREAKER (MRCB)

## MANUAL RESET CIRCUIT BREAKERS WITH SWITCH FUNCTION

### SPECIFICATIONS

#### Single Pole Thermal Type Breakers

**Applications:** Typically used in DC power systems in marine applications (as a main or branch circuit breaker), truck and bus systems, RV systems, add-on protection for accessories, lift gates, etc. This unit is external ignition protected and weatherproof.

**Rating:** 25-150A, 48VDC.

**Interrupt Rating:** Main Breaker Protection Interrupt Rating (5kA @ 12VDC). (Consult factory for higher voltage interrupt ratings.)

**Operating Temperature Rating:** -40°F (-40°C) to 185°F (85°C).

**Storage Temperature Rating:** -40°F (-40°C) to 260°F (125°C).

**Materials:** Black UL-Rated 94V-0 thermoset plastic body. Cover and lever are UL-Rated 94V-0 thermoplastic.

**Marking:** Standard marking includes amp/volt ratings. Custom markings also available.

**Termination:** 5/16-18 threaded studs.

**Torque Rating:** 75in-lbs (8.5Nm) max.

**Mounting Torque Rating:** Panel or surface-mount options; 50in-lb (5.6 Nm) max.

**Ingress Protection Rating:** IP66.

**Features / Options:** A manual reset circuit breaker with On-Off switch capability.

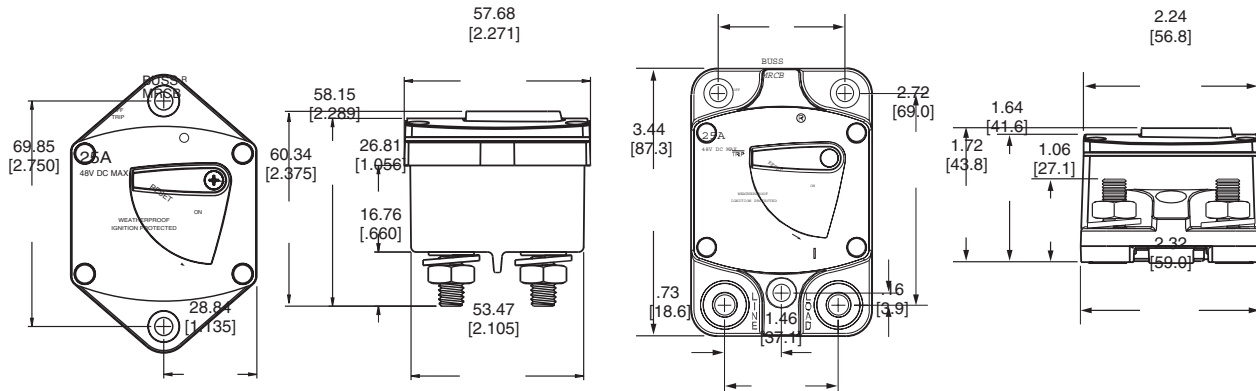
**Compliances:** ABYC E-11; CE; SAE J1171 (Ignition Protected).



### DIMENSIONS (Dims. are shown for reference only. )

#### Panel Mount

#### Base Mount



### PART NUMBERING SYSTEM

Series	Rating	Mounting	Hardware	Marking
1 8 7	□ □ □	□ —	□ □ —	□
187 – Manual Reset - Switching Style Circuit Breaker	025 – 25 amps 030 – 30 amps 035 – 35 amps 040 – 40 amps 050 – 50 amps 060 – 60 amps 070 – 70 amps 080 – 80 amps 100 – 100 amps 110 – 110 amps 120 – 120 amps 135 – 135 amps 150 – 150 amps	F – Surface mount P – Panel mount	00 – No hardware 03 – Stainless nuts & lockwashers - installed on studs 04 – Stainless nuts & lockwashers - supplied bulk packed	1 – Standard marking; Part Number, Amp Rating  (Consult factory for special marking options.)