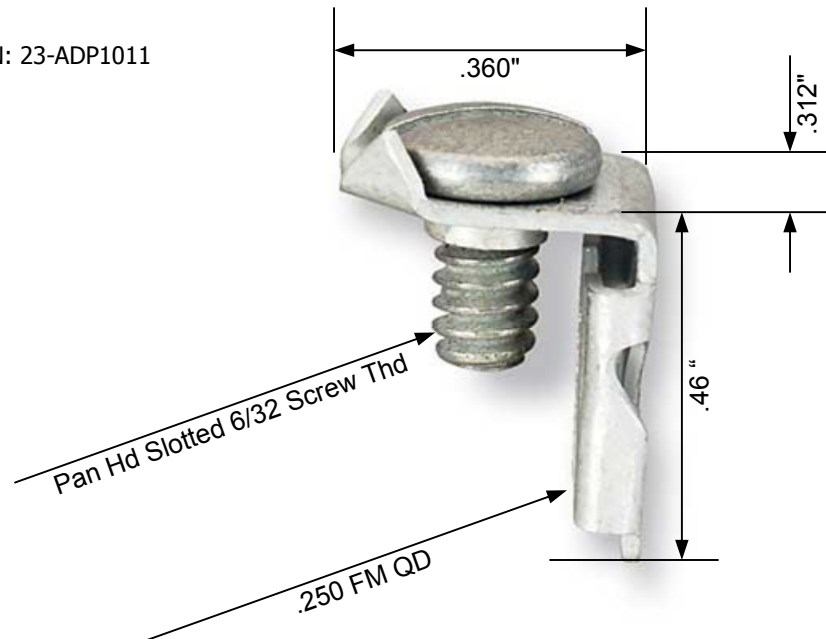


*Created Exclusively For "Custom Marine Services"*

PN: 23-ADP1011



Screw Disconnect, Insulation None, Insulation Type Bare, Insulation Color Bare, Tab Size 0.032 In. x 0.250 In., Max.Temp. 347 Degrees F, Overall Length 0.460 In., Connection Material Brass, Standards CSA Certified, Connection Type 6-32 Screw, Package Quantity 100

MATERIAL: Brass (UNS 26000) with matte tin plating 0.0025 mm  
MANUFACTURING: USA

*Legend:*

NOTE TO SCALE