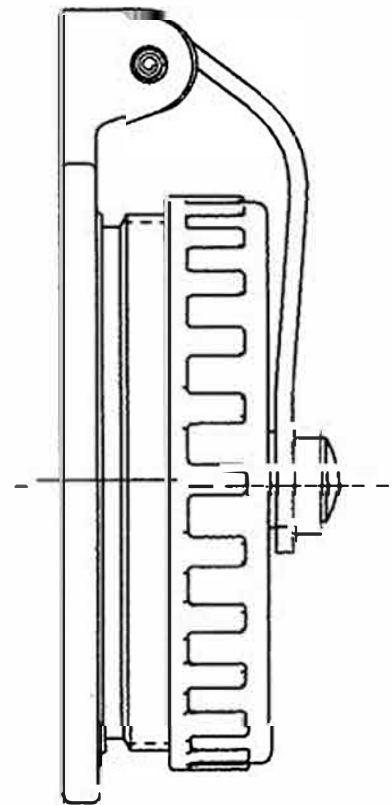
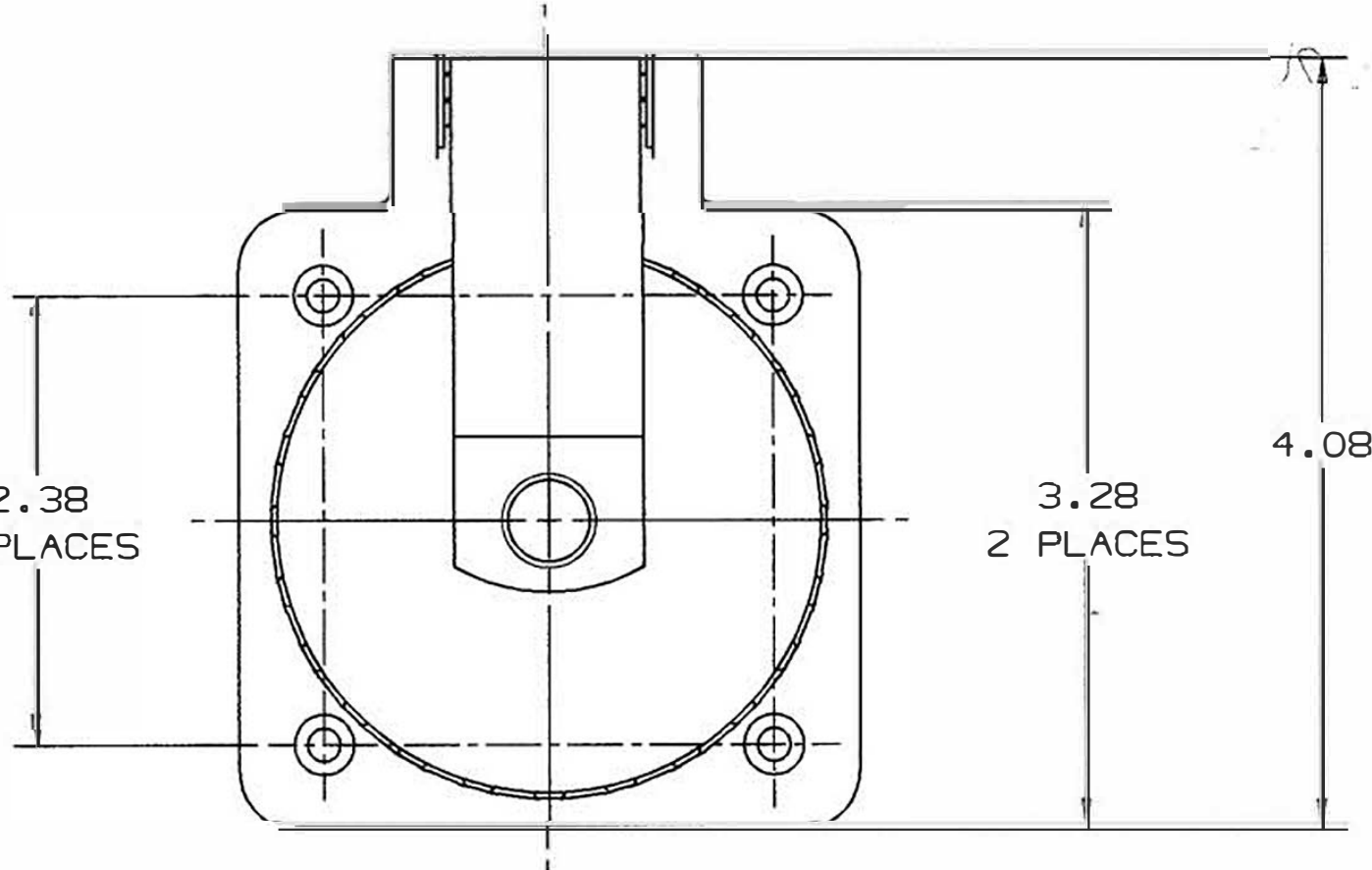


M-7804 | 2

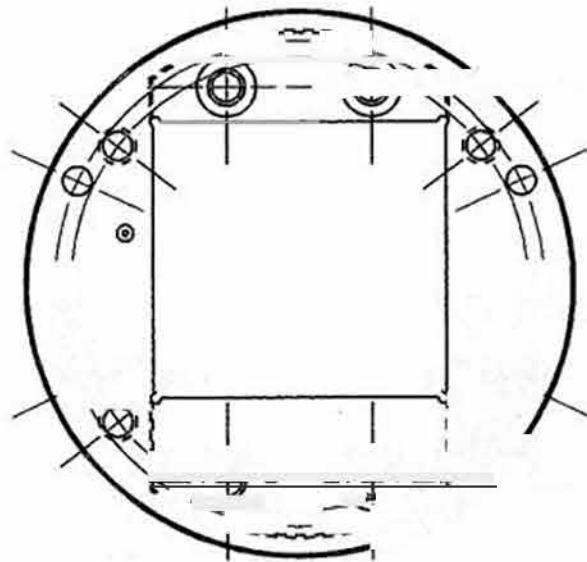


2.38
2 PLACES



3.28
2 PLACES

4.08



LIST OF PARTS		
DESCRIPTION	MATERIAL	FINISH
INLET COVER & FLANGE ASSY	316 SS	
G.O. ADAPTER PLATE	NYLON	
SCREWS	STAINLESS STL.	
GASKETS	NEOPRENE	

DIMENSION SHEET FOR CAT. NO.

REPAIRABLE NON-REPAIRABLE

2	2.38 WAS 2.41; 4 HOLES WAS 4 SLOTS PER DCN #5804 RCM	WUH	4/14/98
1	RELEASED PER DCN 5337	WUH	11/14/97
SYM	REVISIONS	APP	DATE

THE DESIGN AND DIMENSIONS OF THE PRODUCT SHOWN ON THIS DRAWING ARE SUBJECT TO CHANGE WITHOUT NOTICE

TITLE STAINLESS STEEL MAIN CIRCUIT BREAKER HULL INLET

TOLERANCES UNLESS OTHERWISE SPECIFIED	WIRING DEVICE-KELLEMS HUBBELL INCORPORATED BRIDGEPORT, CT	
FRACTIONS ± 1/64	DR. BY SRE	APP. BY WUH
DECIMALS ± .005	TR. BY	SCALE 1:1
ANGLES ± 2°	CHK'D BY WUH	DATE 9/15/97

B M-7804

2