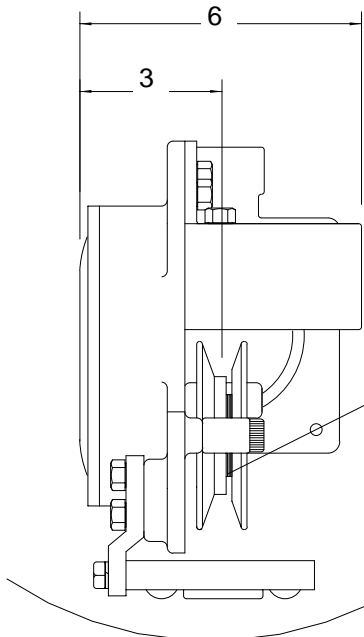
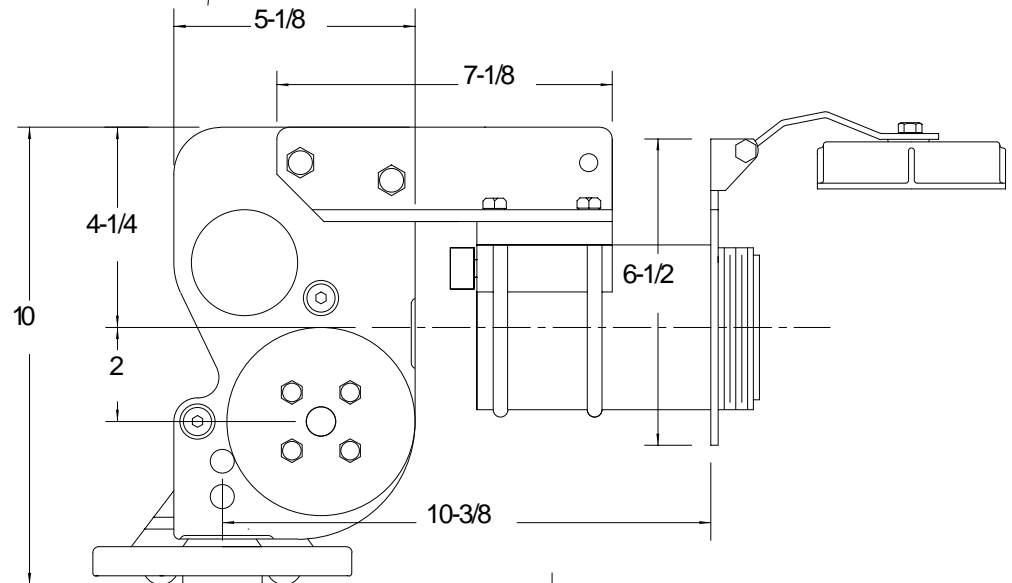
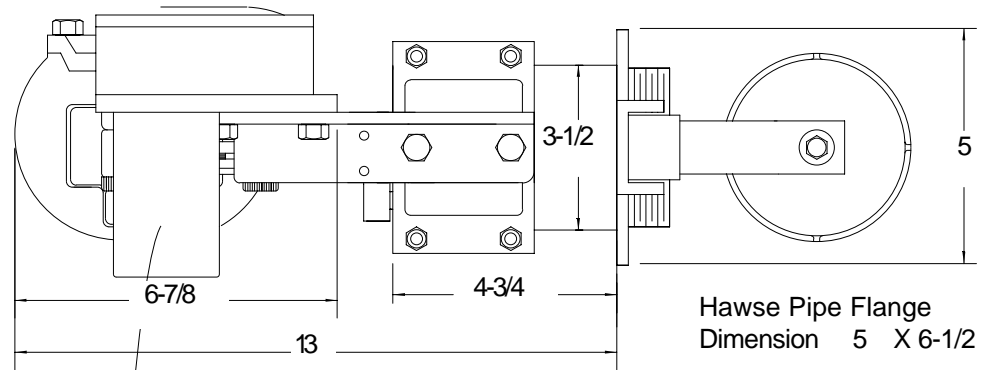


# CM-4 DIMENSIONS

## SPECIFICATIONS:

Voltage: 12 VDC  
 Current: 4 - 5 Amps under load  
 Weight: 9 lbs.  
 Cable size: 30 amp, 110 volt  
 Adjustable ( $5/8$  to  $3/4$  diameter)  
 Length capacity: Determined by size of storage location



NOTE: Spacers provided for variable cable diameter adjustment

NOTE: Power Unit may swing up to 45 degrees

Minimum cable area required for 50 feet of 50 amp shore power cable is 18 diameter X 18 high (centered under Guide Roller Assembly)

# CM-4 DIMENSIONS

The CM-4 Standard Configuration comes complete with:

- Power Unit
- Chromed Hawse Pipe Assembly
- Out-limit and In-limit switch assembly
- Power switch (3 pos. out-off-in)
- Nameplate
- One year limited warranty

Optional Configuration includes:

- 50 feet of 30amp cable
- Storage Container

Common Installation Accessories:

- 10amp breaker
- Extra bracketing available



## GLENDDINNING

Custom Marine Services - Dist.

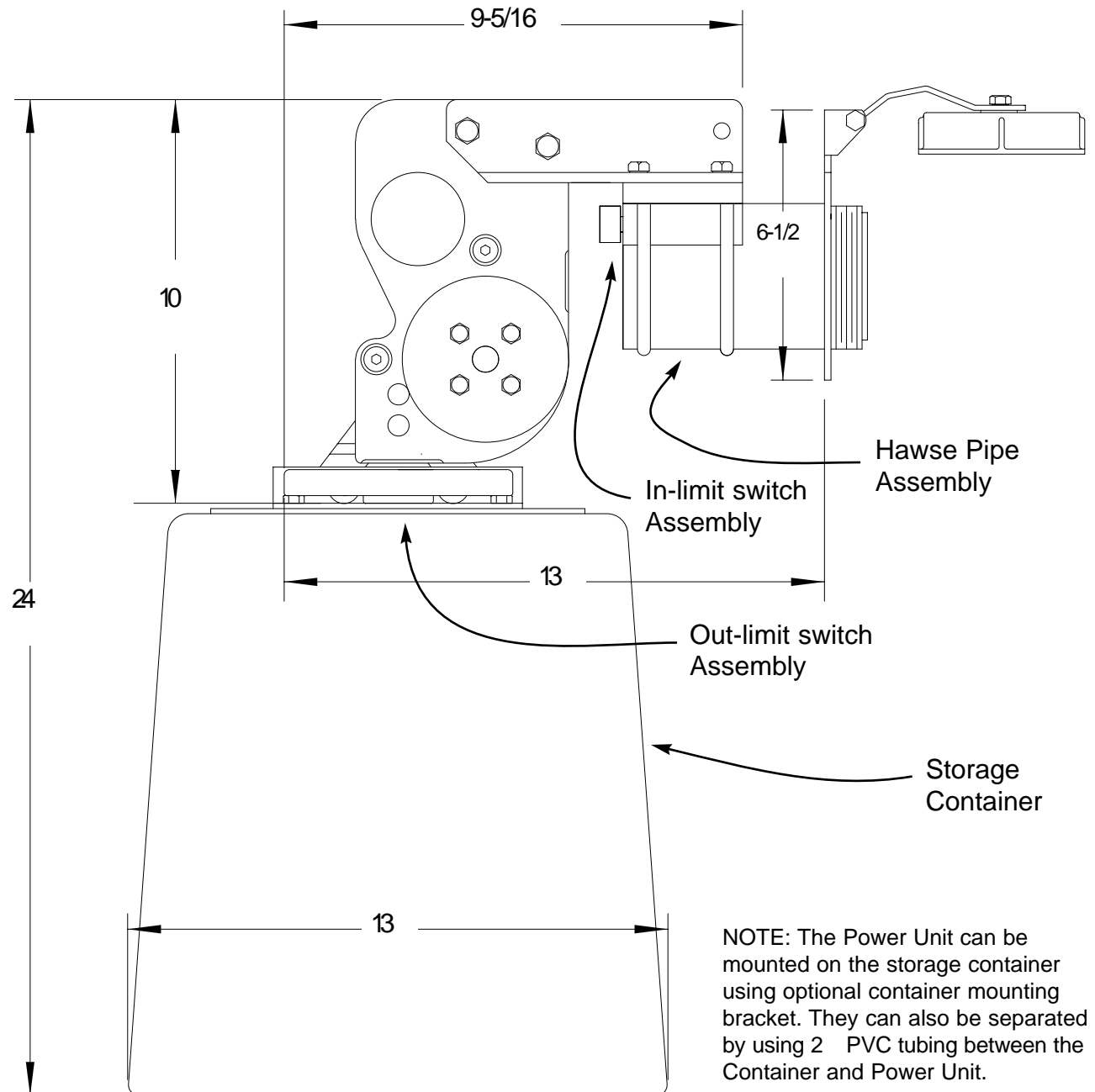
1548-B Francis Marion Rd

Florence, SC 29506

Ph: 800-992-7922

Fax: 800-992-7923

www.cmsquick.com



NOTE: The Power Unit can be mounted on the storage container using optional container mounting bracket. They can also be separated by using 2 PVC tubing between the Container and Power Unit.