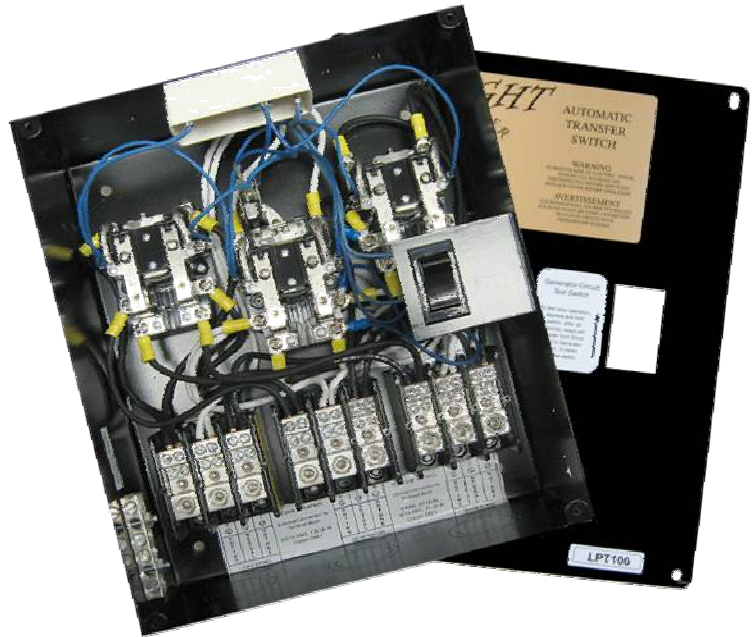


LYGHT POWER SYSTEMS

MODEL # LPT100
120VAC-240VAC
100 AMPS/POLE

AUTOMATIC TRANSFER SWITCH

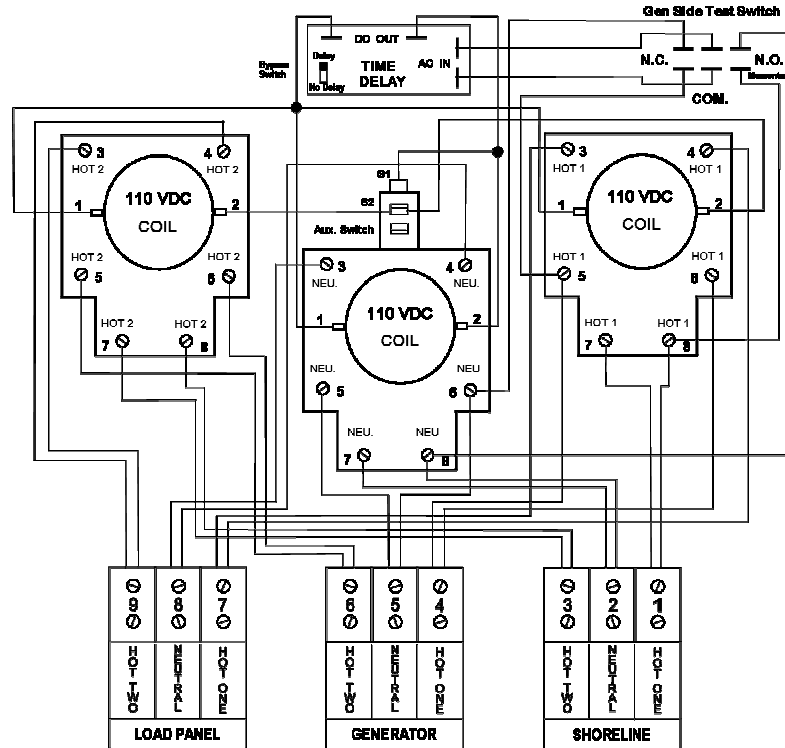


- AUTOMATICALLY SWITCHES FROM SHORE\UTILITY TO GENERATOR
- HEAVY DUTY RELAY ASSEMBLY WILL HANDLE UP TO 100 AMP SHORELINE\UTILITY POWER AND UP TO 24KW GENERATOR
- UTILIZES AN AUXILIARY SWITCH ON THE NEUTRAL RELAY TO ENSURE NEUTRAL LINES ARE ENGAGED BEFORE THE HOT LINES
- DEFEATABLE GENERATOR START UP DELAY IS PROVIDED TO ALLOW THE GENERATOR TO GET UP TO SPEED
- DESIGNED WITH DC COILED RELAYS TO REDUCE HUM, AND TERMINAL BLOCKS TO SIMPLIFY WIRE CONNECTIONS
- FRONT PANEL SWITCH TO SIMULATE GENERATOR STARTUP
- DESIGNED FOR OEM AND AFTERMARKET INSTALLATIONS
- APPROVED FOR USE IN RV AND RESIDENTIAL APPLICATIONS

The LPT100 is intended for use as an electrical transfer switch to automatically switch multiple sources (from one to another), i.e. switching from shoreline to generator power.

The LPT100 is primarily designed for installation in conjunction with a generator having a rated output of no larger than 24KW and an external power supply having a rated output of no more than 240VAC 1PH 60HZ, 2 poles at 100 Amps per pole.

LPT100 SCHEMATIC DIAGRAM



CONTACTORS: 3 General Purpose DPDT relays

COIL: 110 VDC 2 Watts.

TIME DELAY: Custom time delay, 22 seconds nominal. Can be bypassed for instant switching.

PHYSICAL SIZE: 12" X 10" X 4"

KNOCKOUTS: Assorted.

WEIGHT: 14 lbs.

- CAUTIONS:**
- ** INSTALL VERTICALLY OR HORIZONTALLY IN A DRY, ACCESSIBLE AREA.
 - ** CONSULT FACTORY BEFORE DRILLING METAL CASE.
 - ** KEEP COVERED EXCEPT DURING WIRING AS RELAYS ARE SENSITIVE TO DEBRIS.
 - ** HI-POT WITH LPT100 DISCONNECTED OR HI-POT ON LOAD SIDE OF SWITCH.